



ROUND LED WALL MIRROR SPECIFICATION SHEET SMC6060B MODEL NO. ELI 2424 OPMB

Features

- THREE COLOR TEMPERATURE OPTIONS: 3000K, 4500K & 6400K
- DEFOGGER.
- DOUBLE KEY SENSI-TOUCH DIMMER.
- ENERGY EFFICIENT LED LIGHTING.

| | | |
|------------------|--------|--------|
| Kelvin | 3000** | 6400** |
| CRI | 80+ | 80+ |
| Lumens* (Approx) | 2100 | 2100 |
| LED Driver | 110V | 36W |

* 2835 double led strip light, 240 chips/m, 2100lm, 21w

Construction

- POWDER COAT WHITE STEEL HOUSING.
- HIGH POLISHED EDGE MIRROR WITH FROSTED PERIMETER. COPPER FREE.
- 7/16" WIDE MATTE BLACK ALUMINUM FRAME.
- CONSTRUCTED FOR SURFACE MOUNTING.
- INSTALLATION HARDWARE INCLUDED.

Codes/Standards Applicable

UL CERTIFICATION FOR LED MIRROR:

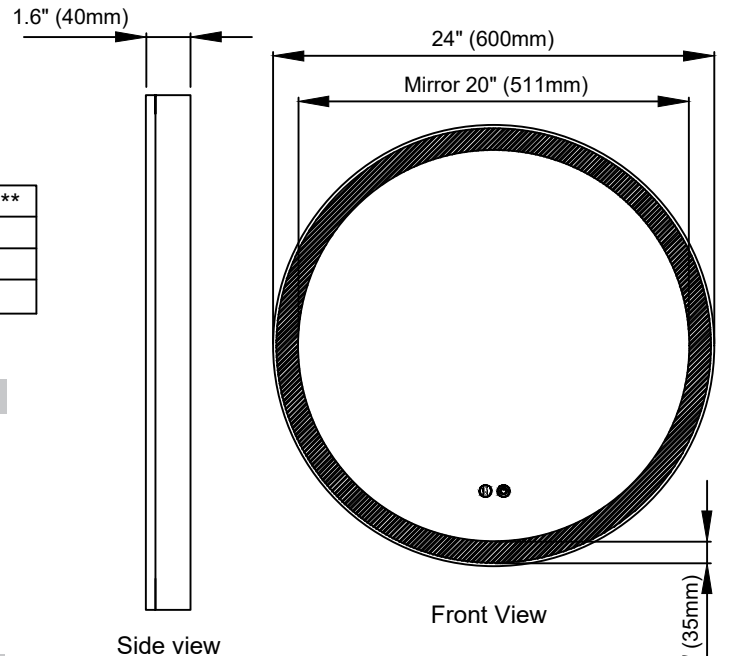
- UL 8750
- E474408

Dimensions

DIAMETER: 23.5" (600 MM)
DEPTH: 1-1/4" (35 MM)
WHIP LENGTH: 25" (635 MM)

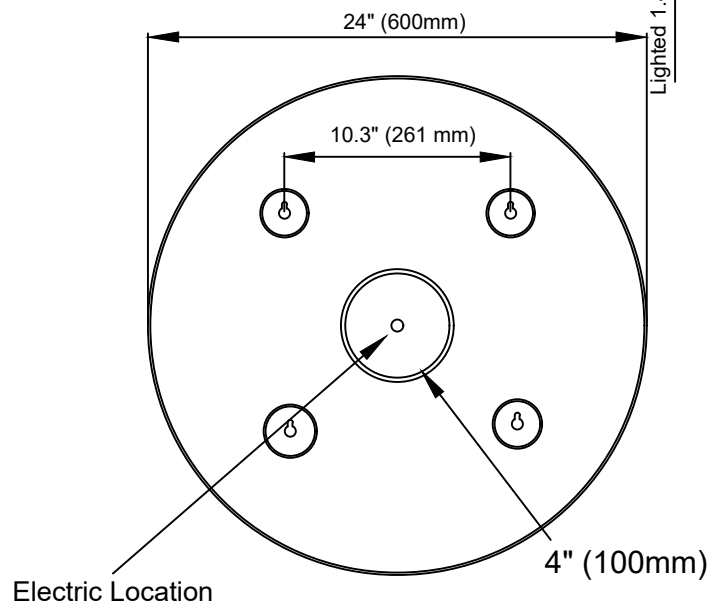
Electrical System

- 120 VAC 60HZ ELECTRIC LOCATION AS SHOWN.
- COMPATIBLE WITH MOST TRIAC/ PHASE-CUT DIMMERS.



Side view

Front View



Electric Location

Back View

Model Number Key

| LED | Mirror | Diameter | Shape | Light Pattern | Edge Type | Options | Color Temp |
|-----|--------|----------|------------|---------------|---------------------|--------------|------------------------|
| L | M | 24" | Y = Circle | Y = Inset | FP = Flat, polished | D = Defogger | Y = 3000k Y = 6400k |



10 HENRY ST
FREEPORT, NY 11520
718-366-1966

www.sofiamedicinecabinets.com